

# THE SAILOR® 3965 UHF FIRE FIGHTER

# COBHAM

Tough Job. Tough Conditions. Tough Equipment

Product Sheet

The most important thing we build is trust

**Communication is vital for the safety and efficiency on board all vessels. When it comes to one of the most extreme and dangerous situations crews can face – the outbreak of a fire – the need for efficient communication for the coordination of fire fighting is even more vital.**

On November 30, 2012 the Maritime Safety Committee adopted Resolution MSC.338(91) among which, Chapter II-2 “Construction – Fire Protection, Fire Detection and Fire Extinction” mentions specifically the use of suitable radio equipment.

## SOLAS Chapter II-2, regulation 10.10.4

*For ships constructed on or after 1 July 2014, a minimum of two two-way portable radiotelephone apparatus for each fire party for fire-fighter’s communication shall be carried on board. Those two two-way radiotelephone apparatuses shall be of an explosion-proof type or intrinsically safe. Ships constructed before 1 July 2014 shall comply with the requirements of this paragraph not later than the first survey after 1 July 2018.*

## Reliability for critical operations

The SAILOR 3965 UHF Fire Fighter radio has been developed specifically for the fulfilment of the SOLAS requirement. Built on the legacy of SAILOR SP3500 series portable radios, the SAILOR 3965 UHF Fire Fighter radio provides reliable, feature rich communication that helps to make the fire party safe and effective when called into action.

## Taking safety to higher standards

The robust and explosion proof SAILOR 3965 UHF Fire Fighter radio fulfils the IEC 60945 marine standards to ensure

the highest quality for on board safety communication equipment. The special red colour of the radio ensures that the dedicated purpose and use of the radio is not violated. As a special safety option the SAILOR 3965 UHF Fire Fighter radio can be supplied with a non-rechargeable emergency battery providing the highest possible safety when deploying the fire party instantly.

## Designed for purpose

The SAILOR 3965 UHF Fire Fighter radio is a true SAILOR product. It is 100% designed in-house at Cobham SATCOM with features specifically made for fire fighters, such as a logical and easy to

operate keypad, instant readout of status on the crystal clear display and audio feedback of channel selection in headsets. The SAILOR 3965 UHF Fire Fighter radio is a cost effective solution that integrates with both SAILOR accessories as well as high quality third party accessories. This flexibility ensures that the SAILOR 3965 UHF Fire Fighter radio fulfils the need of most configurations of the fire fighter outfits required under SOLAS.

EMS **EVERTHRON®**  
Marine Systems

REPRESENTANTE EN ARGENTINA



# THE SAILOR® 3965 UHF FIRE FIGHTER

**COBHAM**

Tough Job. Tough Conditions. Tough Equipment

In addition to the standard delivery for the SAILOR 3965 UHF Fire Fighter radio, a range of Remote Speaker Microphone Push-to-Talk units and headsets from SAILOR, SAVOX and PELTOR is available as options.

## APPROVALS

R&TTE	X
ATEX	Class II 2G Ex ib IIB T4
Marine approval	IEC60945

## CHANNELS AND FREQUENCIES

Frequency range	440 - 470 MHz
Channel Separation	25kHz/12.5kHz
Pre-programmed channels	16
Additional programmable channels	85
ATIS call sign channels	X

## FEATURES

Squelch control	X
Channel selection audi feedback in headset	X
Transmitter power (Hi/Lo) (radiated)	2W/0.4W
Dual watch, Tri-watch, scanning	X
Call Channel Program and Selection	X
Red back light with dimming	X
Keypad lock	X
Keypad beep On/Off	X
Backlit keypad	X
Light on key press or manual only	X
Display contrast	X
CTCSS	X
Scrambler	X
Battery save function	X
Battery level indicator	X
Water Ingress Protection	IP67
Operating temperature	±20 C to +55 C
Weight with battery	350g

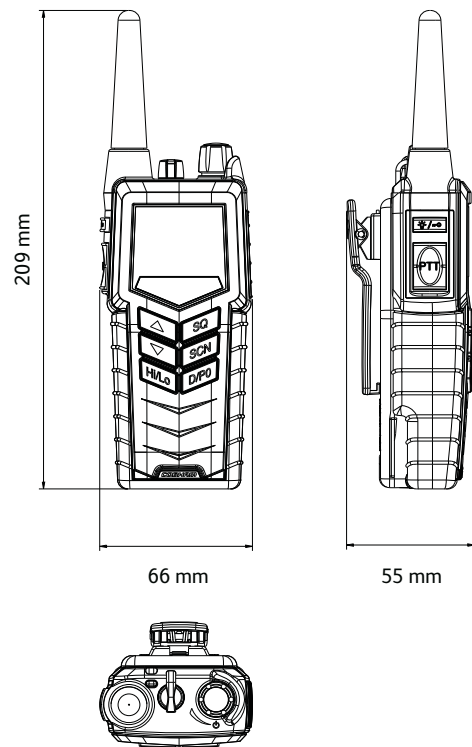
## BATTERY

1800 mAh Rechargeable Li-Ion battery	X
3000 mAh Non Rechargeable Li-Ion battery (Option)	X

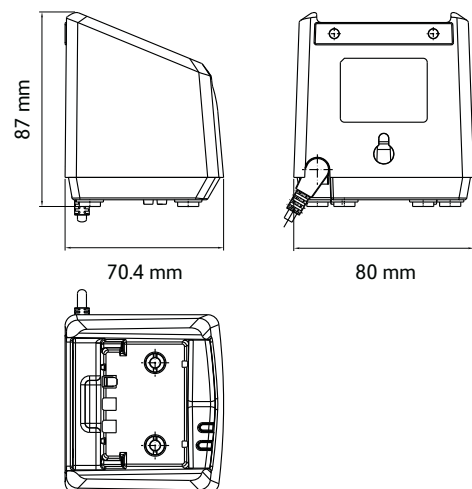
## STANDARD DELIVERY

Transceiver Unit	X
Rugged stubby UHF antenna	X
Rechargeable Battery, B3906	X
Compact Single Unit Charger, CH3505	X
AC/DC Converter for charger (100V - 240V / 12V DC)	X
12V/24V DC Connection Cable	X
Belt Clip	X
Lanyard	X
User Manual	X

SAILOR 3965 UHF Fire Fighter



SAILOR CH 3505 Single Charger Unit



**EMS** **EVERTHRON®**  
Marine Systems

REPRESENTANTE EN ARGENTINA

For further information please contact:

[www.satcom.ohc@cobham.com](mailto:www.satcom.ohc@cobham.com)